

*get started*

INSTANT® **VORTEX™ PLUS**  
6QT WITH **CLEARCOOK™**  
AND **ODORERASE™**

USER MANUAL

Instant®

# Welcome

to your new Instant® Vortex™ Plus!

This Instant Vortex Plus Air Fryer can help you cook delicious meals with less oil and less hassle. We hope you fall in love with Instant air frying and enjoy it in your kitchen for years to come!

**Learn more about your Vortex Plus!**



## **⚠️ WARNING**

Before using your new Vortex Plus, read all instructions, including the Safety Instructions and the Warranty. Failure to follow the safeguards and instructions may result in personal injury and/or property damage.

## **CONTENTS**

Important safeguards	3
What's in the box	8
Using your Vortex™ Plus	10
Initial setup	13
Cooking	15
Smart Programs	17
Cleaning	20
Troubleshooting	22
Error Codes	23
Learn more	24
Warranty	26

**INSTANT®**

VORTEX™ PLUS AIR FRYER

---

## **Safety Instructions**

At Instant, we want you to feel comfortable using our products. This Instant Vortex Plus Air Fryer was designed with your safety in mind.

*When using electrical appliances, you should always follow basic safety precautions to reduce the risk of electric shock or other personal injury, fire and/or property damage.*

**Read all instructions before using and only use this appliance as described in the in-box materials. Failure to follow these safeguards and instructions may result in personal injury and/or property damage and can void your warranty.**

# **IMPORTANT SAFEGUARDS**

## **⚠ WARNING**

# READ ALL INSTRUCTIONS

### **Placement**

**DO** place the appliance on a countertop only. Always operate the appliance on a stable, non-combustible, level surface.

**DO NOT** place the appliance on or close to a hot gas or electric burner, or a heated oven.

**DO NOT** use the appliance near water or flame.

**DO NOT** use outdoors. Keep out of direct sunlight.

**DO NOT** place on anything that may block the vents on the appliance.

**DO** make sure all parts are dry and free of food debris before use.

### **General Use**

**DO NOT** touch the appliance's hot surfaces, or any accessories during or immediately after cooking because they will be hot.

**DO** use the appliance's handles and knobs.

**DO** use oven mitts when removing accessories.

**DO** place hot accessories on a heat-resistant surface or cooking plate.

**DO NOT** cover the crumb tray or any part of the oven with foil. This will cause the oven to overheat.

**DO NOT** move the appliance while it is in use.

## **⚠ WARNING**

**DO NOT** allow children or persons with reduced physical, sensory or mental capabilities to operate this appliance. Close supervision is necessary when any appliance is used near children and individuals with reduced capabilities. Children should not play with this appliance.

**DO NOT** use the appliance for anything other than household use. It is not intended for commercial use.

**DO NOT** leave the appliance unattended while in use.

**DO NOT** use the appliance for more than 60 minutes in a 2-hour period.

### **Air Frying Cautions**

When the air fryer is in operation, hot air is released through the air vents. Keep your hands and face at a safe distance from the air vents and take extreme caution when removing hot accessories from the appliance. Failure to do so may result in personal injury or property damage.

While cooking, the internal temperature of the appliance reaches several hundred degrees. To avoid personal injury, never place unprotected hands inside the appliance until it has cooled to room temperature.

**DO NOT** use a ceramic-coated or stoneware pot (such as CorningWare® stoneware) for air frying.

**DO NOT** block the vents on the air fryer. Leave at least 5 in / 13 cm of space around the air fryer when in use.

**DO NOT** place the appliance on a hot stove.

**DO NOT** operate the appliance on or near combustible materials such as tablecloths and curtains.

**DO NOT** cover the air vents while the air fryer is in operation. Doing so will prevent even cooking and may cause damage to the appliance.

## **⚠ WARNING**

**DO NOT** overfill the air fryer. Overfilling may cause food to contact the heating element, which may result in personal injury, fire, and/or property damage.

**DO NOT** pour oil into the cooking container. If needed, spray food lightly with non-stick cooking spray. Using cooking oil could result in personal injury and/or property damage.

**DO** use caution with cooking containers made of materials other than metal or glass. Failure to do so may result in fire, personal injury, fire and/or property damage.

Should the unit emit black smoke during use, press **Cancel** and unplug the appliance immediately. Wait for smoking to stop before opening the door/basket, then clean thoroughly. For further information refer to 'Troubleshooting' in this User Manual.

**DO** use extreme caution when moving the appliance containing oils or other hot liquids.

**DO** use extreme caution when removing the tray or disposing of hot grease.

**DO NOT** use this appliance for deep frying foods.

### **Accessories**

**DO** use only accessories or attachments authorized by Instant Brands LLC. The use of parts, accessories or attachments not recommended by the manufacturer may cause a risk of electric shock or other personal injury, fire, and/or property damage.

**DO NOT** use the included accessories in a microwave, toaster oven, convection or conventional oven, or on a ceramic cooktop, electric coil, gas range or outdoor grill.

## **⚠ WARNING**

### **Care and Storage**

**DO** let the appliance cool to room temperature before cleaning or storage.

**DO NOT** store any materials in the appliance when not in use.

**DO NOT** place any combustible materials in the appliance, such as paper, cardboard, plastic, Styrofoam or wood.

**DO NOT** clean the appliance with metal scouring pads or steel wool. Pieces can break off and touch the electrical parts, causing a risk of electric shock, burns or other personal injury.

### **Power Cord**

A short power-supply cord is provided to reduce the hazards resulting from grabbing, entanglement and tripping. This appliance has a 3-prong grounding plug. To reduce the risk of electric shock:

**ONLY** plug the power cord into a grounded electrical outlet.

**DO NOT** remove ground.

**DO NOT** let the power cord hang over edges of tables or counters, or touch hot surfaces or open flame, including the stovetop.

**DO NOT** use below-counter power outlets.

**DO NOT** use with extension cords, power converters or adapters, timer switches or separate remote-control systems.

### **Electrical Cautions**

The appliance contains electrical components that are an electrical shock hazard. Failure to follow these instructions may result in electric shock and/or death.

#### **To avoid electrical shock:**

To disconnect, select **Cancel**, then remove plug from power source. Always unplug when not in use, as well as before adding or removing parts or accessories, and before cleaning. To unplug, grasp the plug and pull from the outlet. Never pull from the power cord.

## **⚠ WARNING**

**DO** allow unit to cool before adding or removing parts or accessories.

**DO** regularly inspect the appliance and power cord.

**DO NOT** operate the appliance if the power cord or plug is damaged, or after the appliance malfunctions or is dropped or damaged in any manner. For assistance, contact Customer Care by email at [support@instanthome.com](mailto:support@instanthome.com).

**DO NOT** attempt to dislodge food while the appliance is plugged into an electrical outlet, as this may cause electric shock, burns, or other personal injury, and/or property damage.

**DO NOT** attempt to repair, replace or modify components of the appliance, as this may cause electric shock or other personal injury, fire and/or property damage, and will void the warranty.

**DO NOT** tamper with any of the safety mechanisms, as this may result in personal injury and/or property damage.

**DO NOT** immerse power cord, plug or the appliance in water or other liquid.

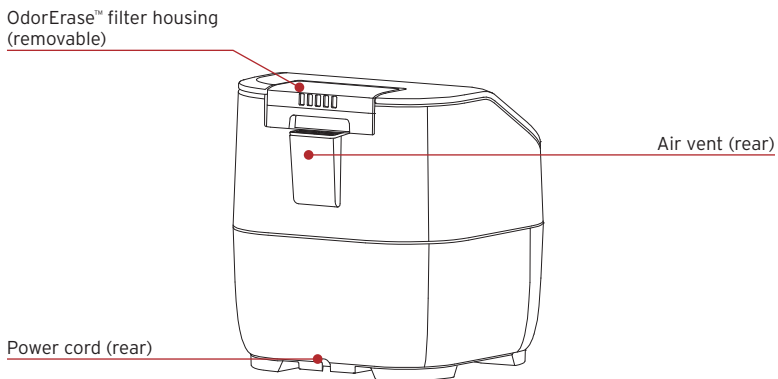
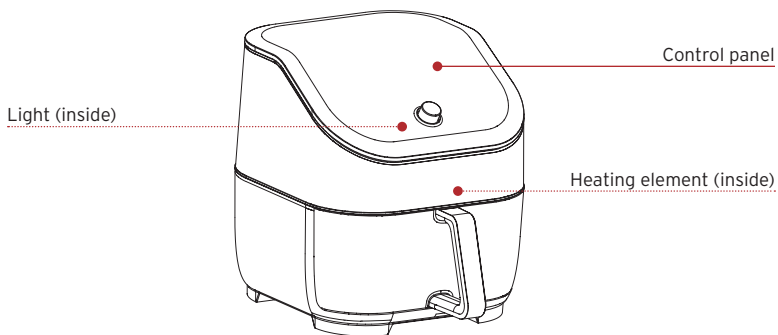
**DO NOT** rinse the appliance under tap.

**DO NOT** use the appliance in electrical systems other than 120 V ~ 60 Hz for North America.

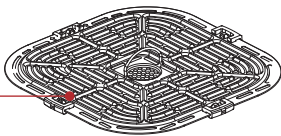
# **SAVE THESE INSTRUCTIONS**

# WHAT'S IN THE BOX

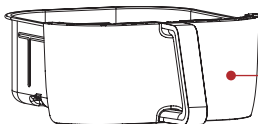
## Air Fryer



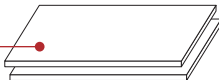
Cooking tray



Air frying basket with  
ClearCook™ window



2x OdorErase™ filter  
(pre-installed, inside)



*Illustrations are for reference only and may differ from the actual product.*

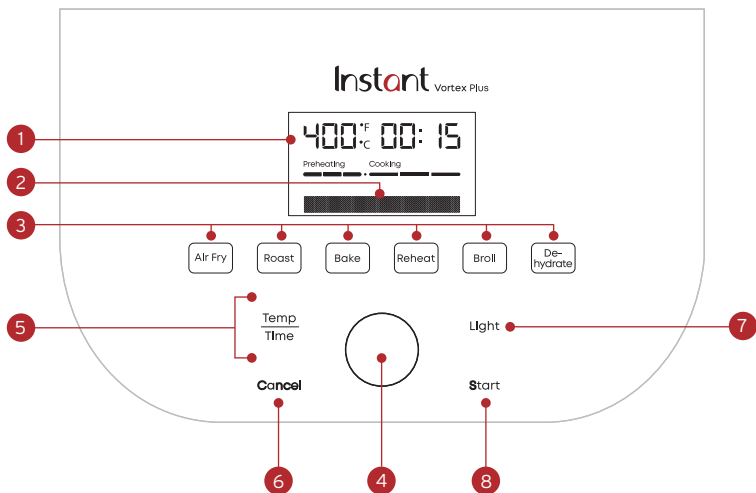
## **Remember to recycle!**

We designed this packaging with sustainability in mind. Please recycle everything that can be recycled where you live. Be sure to keep this Guide, along with the Safety and Warranty insert for reference.

# USING YOUR VORTEX™ PLUS

## Control panel

We've designed the control panel to be simple to use and easy to read.



1. Time/Temperature
  - Cooking time
  - Cooking temperature
2. LCD message bar: showing cooking status and reminder message
3. Smart Programs
  - Air Fry
  - Roast
  - Bake
  - Reheat
  - Broil
  - Dehydrate
4. Control Dial
  - Used to select time and temperature
5. Temperature and time
6. Cancel
7. Light
  - Turn on or off the internal cooking light
8. Start

## Turning cooking light On/Off

- To turn the light on, press **Light**.
- To turn the light off, press **Light** again. The cooking light cannot be turned off in the last 60 seconds of a cooking program.

## Replace filter indicator

- When it's time to replace the OdorErase™ filter, the display will show Change Filter. See page 21 for replacement instructions.

## Turning sound On/Off

- While in Standby mode, press and hold **Temp/Time** and **Light** for 5 seconds, until the display shows **Sound Off** or **Sound On**.

*Audible safety alerts (beeps) cannot be turned off.*

## Choosing temperature unit

Choose which cooking temperature unit you would like to use, Fahrenheit or Celsius.

- While in Standby mode, press and hold **Temp/Time** for 5 seconds, until display shows °F or °C.

## Save custom settings

You can set and save custom time and temperature settings for any of the six *Smart Programs*.

1. Select the Smart Program you want to set.
2. Press **Temp/Time** button and use the Control Dial to change the temperature or time.
3. Press **Start Button** to confirm change.

*The next time you use that Smart Program the new temperature or time is used. Adjustments made after cooking begins are not saved.*

## Reset Smart Programs to original settings

### Reset individual Smart Programs

- With the cooker in Standby mode, press and hold one of the Smart Program buttons until the cooker returns to Standby.

### Reset all Smart Programs

- With the cooker in Standby mode, press and hold the **Control Dial** until the cooker beeps.

*All Smart Program cooking times and temperatures are restored to the factory default setting.*

### Cancel active cooking program

You can cancel any cooking program at any time.

- While in Standby, Preheating or active cooking program, press **Cancel**. Depending on the temperature of the unit, the internal fan may keep running to cool the unit.

# INITIAL SETUP

## Unpack

1. Remove your new Vortex™ Plus from the box.
2. Remove all the packaging material from in and around the air fryer.
3. Make sure to remove all the accessories from inside the cooking chamber.
4. Don't remove the safety warning stickers or the rating label from the air fryer.

## Clean before use

1. Wipe the interior with a damp cloth. Use a clean, soft cloth to dry.
2. Wash the accessories with hot water and dish soap. Rinse with warm, clear water and use a soft cloth to dry.

## Placement

1. Place your Vortex Plus on a stable, level surface, away from combustible material and external heat sources. Do not place your Vortex Plus on top of another appliance.
2. Make sure to leave at least 5 in / 13 cm of space above and around all sides of the appliance to allow for sufficient air flow.

## Test run

Before using your new Vortex™ Plus for the first time, you must perform a test run to ensure everything is working correctly.

### To perform a test run:

1. Follow the instructions for cooking on page 15.
2. Insert the cooking basket, but do not add food.
3. Select the **Air Fry** program.
4. Select the default cooking temperature (400°F / 205°C).
5. Select the default cooking time (18 minutes).
6. When the display shows **Add Food**, just remove and reinsert the cooking basket (do not add any food).
7. When the display shows **Turn Food**, wait 10 seconds for the program to resume.
8. After the cooking program ends, allow the unit to cool down.

*Now you're ready to cook a meal in your Instant Vortex Plus!*

## COOKING

The Vortex™ Plus uses rapid air circulation to crisp or cook food, giving your meals all the rich, crispy flavor of deep frying, with little to no oil.

### **⚠ WARNING**

#### **HOT SURFACES**

The air fryer oven will be hot during and after cooking. Always exercise extreme caution when removing food from the hot cooking chamber. Touching hot surfaces may result in personal injury, and/or property damage.

#### **MUST ALLOW AIR FLOW**

To prevent personal injury, and/or property damage, do not block air intake or air vents.

### What to cook in

The cooking basket with cooking tray is perforated to allow air to flow under and around your food, and should be used for most foods, like wings and cauliflower bites.

For the Baking program only, you can use a metal or glass baking dish to hold things like batter for cakes and dough for breads. Place the baking dish inside the cooking basket for baking.

*You can place food right on the cooking tray, without using foil or other coverings.*

### Prep

Cut, chop, season, marinate or batter your ingredients according to your recipe.

### Cook

1. Insert the air frying basket into the cooker.

*When the air frying basket is inserted securely, the front of the basket is flush with the front of the cooker.*

2. Press **Air Fry**.
3. Press **Temp/Time** to adjust the temperature and cooking time.
4. Press **Start** to begin. The display shows **Preheating** to indicate that the cooking program has started.

See page 17 to adjust Smart Program settings.

### Add food

1. When the cooker passes the preheating phase, the display shows **Add Food**.
2. Remove the basket, and carefully insert your food into the basket.
3. Reinsert the air frying basket into the cooker and the cooking countdown timer starts.

### Turn

1. Part way through the cooking cycle the display shows **Turn Food**.
2. Remove the air frying basket from the unit and carefully turn, flip, or rotate your food.

*If you do not remove the basket after **Turn Food** displays, cooking will proceed after 10 seconds.*

3. Insert the air frying basket into the cooker. Cooking continues.

### Finish

- When the Smart Program completes, the appliance beeps, and the display shows **End**.

*The "Food-Ready" beep will come up 1 minute later after **End** (10 beeps in 10 minutes total) if the basket/door is not open.*

## SMART PROGRAMS

### Air Fry

You can air fry foods like fries, cauliflower bites, wings, nuggets and more.

Setting	Default	Minimum	Maximum
Temperature	385°F / 196°C	180°F / 82°C	400°F / 205°C
Cooking Time	15 minutes (00:15)	1 minute (00:01)	1 hour (01:00)

### To air fry

- Follow the basic instructions for Air Frying.
- Select “Air Fry” as the Smart Program.

### Roast

You can roast foods like beef, lamb, pork, poultry, vegetables and scalloped potatoes, for a deliciously tender inside and browned outside.

Setting	Default	Minimum	Maximum
Temperature	380°F / 193°C	180°F / 82°C	400°F / 205°C
Cooking Time	18 minutes (00:18)	1 minute (00:01)	1 hour (01:00)

### To roast

- Follow the basic instructions for Cooking.
- Select “Roast” as the Smart Program.

## Bake

You can bake foods like breads, cakes, pastries and buns, with the Vortex™ Plus as your own “mini oven”.

Setting	Default	Minimum	Maximum
Temperature	365°F / 185°C	180°F / 82°C	400°F / 205°C
Cooking Time	30 minutes (00:30)	1 minute (00:01)	1 hour (01:00)

### To bake

- Follow the basic instructions for Cooking.
- Select “Bake” as the Smart Program.
- There is no need to turn the food partway through cooking.  
*Leave approximately 1 in / 2.5 cm of space around all sides of the baking dish to allow heat to circulate evenly.*

## Broil

Broiling cooks using direct top-down heating, perfect for melting cheese on French onion soup, and nachos.

Setting	Default	Minimum	Maximum
Temperature	400°F / 205°C	350°F / 177°C	400°F / 205°C
Cooking Time	6 minutes (00:06)	1 minute (00:01)	40 minutes (00:40)

### To broil

- Follow the basic instructions in Cooking.
- Select “Broil” as the Smart Program.
- There is no need to turn the food partway through cooking.

## Dehydrate

Dehydrating uses low heat over a long period of time to safely dry out food items, like dried fruit, jerky and dried veggies.

Setting	Default	Minimum	Maximum
Temperature	130°F / 54°C	95°F / 35°C	175°F / 79°C
Cooking Time	8 hours (08:00)	1 hour (01:00)	72 hours (72:00)

### To dehydrate

- Follow the basic instructions in Cooking.
- Select “Dehydrate” as the Smart Program.
- There is no need to turn the food partway through cooking.

## Reheat

Bring the crisp and crunch back to leftover fries, pizza and stale bread, in just a few minutes.

Setting	Default	Minimum	Maximum
Temperature	280°F / 138°C	120°F / 49°C	360°F / 182°C
Cooking Time	10 minutes (00:10)	1 minute (00:01)	1 hour (01:00)

### To reheat

- Follow the basic instructions for Cooking.
- Select “Reheat” as the Smart Program.

*Once this Smart Cooking function starts, the display will show the target temperature and cooking time immediately, there's no preheating time.*

## CLEANING

Clean your Vortex™ Plus after each use. Always unplug the unit and let all parts cool to room temperature before cleaning. Before use or storing, make sure all surfaces are dry.

### **⚠ WARNING**

To prevent electric shock, unplug before cleaning.

**DO NOT** immerse power cord, plug or the appliance in water or other liquid, which may result in electric shock.

Part	Cleaning instructions
Cooking tray	<ul style="list-style-type: none"><li>• Dishwasher safe.*</li><li>• The cooking trays have a non-stick coating. Avoid using metal utensils when cleaning.</li></ul>
Removable air frying basket	<ul style="list-style-type: none"><li>• Dishwasher safe.*</li><li>• This basket has a non-stick coating. Avoid using metal utensils when cleaning.</li></ul>
Cooking chamber	<ul style="list-style-type: none"><li>• Clean with a damp cloth and mild dish soap.</li><li>• Always check the heating coil and cooking chamber walls for oil spatter and food debris, and clean as needed.</li><li>• Ensure the heating coil is dry before turning on the air fryer.</li><li>• To remove baked-on grease and food residue from the cooking chamber, spray with a mixture of baking soda and vinegar and wipe clean with damp cloth. For stubborn stains, allow the mixture to sit on the affected area for several minutes before scrubbing clean.</li></ul>
Power cord	<ul style="list-style-type: none"><li>• Clean with a soft, damp cloth or sponge. Wipe dry.</li></ul>

*\*Some discoloration may occur after machine washing, but this will not affect the cooker's safety or performance.*

## Replacing OdorErase™ filters

Visit [instanthome.com](http://instanthome.com) to purchase compatible filters, designed to work with your unit.

1. Unplug the Vortex™ Plus from the electrical outlet.
2. Lift the filter housing up, from the top of the unit.
3. Remove the old filters and dispose of them properly. The filters are not recyclable.
4. Remove two (2) new filters from packaging and insert them into the filter housing.
5. Insert the filter housing back into the unit and plug the cooker back into the electrical outlet.
6. Press the buttons “Bake” and “Reheat” together to reset the filter. The filter LED on the top panel of the machine will be off. Now you're ready to cook.
7. The OdorErase filters will automatically begin reducing odors while you cook.

## TROUBLESHOOTING

Problem	Cause	Solution
Air fryer will not turn on	The appliance is not properly plugged in.	<ul style="list-style-type: none"> <li>• Make sure the power cord is plugged into the outlet firmly.</li> </ul>
	Outlet is not powered.	<ul style="list-style-type: none"> <li>• Plug another appliance into the same outlet to test the circuit.</li> </ul>
	The oven door is open.	<ul style="list-style-type: none"> <li>• Make sure the door is fully closed.</li> </ul>
Black smoke is coming from the air fryer	Using an oil with a low smoke point.	<ul style="list-style-type: none"> <li>• Cancel the Smart Program, unplug the cooker and allow it to cool to room temperature.</li> <li>• Choose a neutral oil with a high smoke point, such as Canola, Avocado, Soybean, Safflower, or Rice Bran.</li> </ul>
	Food residue on the heating coil, in the cooking chamber or on the accessories.	<ul style="list-style-type: none"> <li>• Cancel the Smart Program, unplug the cooker and allow it to cool to room temperature.</li> <li>• Remove all accessories from the cooking chamber and clean the cooking chamber and all accessories thoroughly.</li> </ul>
	Appliance malfunction.	<ul style="list-style-type: none"> <li>• Contact Consumer Care.</li> </ul>
White smoke is coming from the air fryer	Cooking foods with a high fat content, such as bacon, sausage, and hamburger	<ul style="list-style-type: none"> <li>• Avoid air frying foods with a high fat content. Check the cooking chamber for excess oil and/or fat and carefully remove as needed before air frying.</li> </ul>
	Water is vaporizing, producing thick steam.	<ul style="list-style-type: none"> <li>• Pat dry moist food ingredients before air frying.</li> <li>• Do not add water or other liquid to the cooking chamber when air frying.</li> </ul>
	Seasoning on food has blown into element	<ul style="list-style-type: none"> <li>• Be mindful when seasoning food. Spray vegetables and meats with oil before seasoning to help the seasoning stick.</li> </ul>

## ERROR CODES

If the control panel displays an error code from this list, there is an issue with the Vortex™ Plus. Here are the actions you should take to fix the problem.

Problem	Cause	Solution
E1	Open circuit.	• Contact Consumer Care.
E2	Temperature sensor short circuit.	• Contact Consumer Care.

## LEARN MORE

There's a whole world of Instant Air Fryer information and help just waiting for you. Here are some of the most helpful resources.

### Register your product

[Instanthome.com/register](https://instanthome.com/register)

### Contact Consumer Care

In the Instant Brand Connect app  
[Instanthome.com/customer-care-center](https://instanthome.com/customer-care-center)  
[support@instanthome.com](mailto:support@instanthome.com)

### Instant Brands Connect App with 1000+ recipes

[Instanthome.com](https://instanthome.com)  
iOS and Android app stores

### Cooking charts and more recipes

[Instanthome.com](https://instanthome.com)

### How-to videos, tips and more

[Instanthome.com](https://instanthome.com)

### Replacement parts and accessories

[Instanthome.com](https://instanthome.com)

### Join the community



## Product specifications

Model	Volume	Wattage	Power	Weight	Dimensions
AFB6112SS	6 Quarts 5.7 Litres	1700 W	120V / 60Hz	13.11 lb 5.95 kg	in: 15.43 D x 11.81 W x 12.99 H cm: 39.2 D x 30 W x 33 H

# WARRANTY

## One (1) Year Limited Warranty

This One (1) Year Limited Warranty applies to purchases made from authorized retailers of Instant Brands LLC ("Instant Brands") by the original appliance owner and is not transferable. Proof of original purchase date and, if requested by Instant Brands, return of your appliance, is required to obtain service under this Limited Warranty. Provided the appliance was used in accordance with the use & care instructions, Instant Brands will, in its sole and exclusive discretion, either: (i) repair defects in materials or workmanship; or (ii) replace the appliance. In the event that your appliance is replaced, the Limited Warranty on the replacement appliance will expire twelve (12) months from the date of receipt. Failure to register your product will not reduce your warranty rights. The liability of Instant Brands, if any, for any allegedly defective appliance or part will not exceed the purchase price of a comparable replacement appliance.

## What is not covered by this warranty?

- Products purchased, used, or operated outside of the United States and Canada.
- Products that have been modified or attempted to be modified.
- Damage resulting from accident, alteration, misuse, abuse, neglect, unreasonable use, use contrary to the operating instructions, normal wear and tear, commercial use, improper assembly, disassembly, failure to provide reasonable and necessary maintenance, fire, flood, acts of God, or repair by anyone unless directed by an Instant Brands representative.
- Use of unauthorized parts and accessories.
- Incidental and consequential damages.
- The cost of repair or replacement under these excluded circumstances.

EXCEPT AS EXPRESSLY PROVIDED HEREIN AND TO THE EXTENT PERMITTED BY APPLICABLE LAW, INSTANT BRANDS MAKES NO WARRANTIES, CONDITIONS OR REPRESENTATIONS, EXPRESS OR IMPLIED, BY STATUTE, USAGE, CUSTOM OF TRADE OR OTHERWISE WITH RESPECT TO THE APPLIANCES OR PARTS COVERED BY THIS WARRANTY, INCLUDING BUT NOT LIMITED TO, WARRANTIES, CONDITIONS, OR REPRESENTATIONS OF WORKMANSHIP, MERCHANTABILITY, MERCHANTABLE QUALITY, FITNESS FOR A PARTICULAR PURPOSE OR DURABILITY.

Some states or provinces do not allow for: (1) the exclusion of implied warranties of merchantability or fitness; (2) limitations on how long an implied warranty lasts; and/or (3) the exclusion or limitation of incidental or consequential damages; so these limitations may not apply to you. In these states and provinces, you have only the implied warranties that are expressly required to be provided in accordance with applicable law. The limitations of warranties, liability, and remedies apply to the maximum extent permitted by law. This limited warranty gives you specific legal rights, and you may also have other rights which vary from state to state or province to province.

## Product Registration

Please visit [www.instanthome.com/register](http://www.instanthome.com/register) to register your new Instant Brands appliance. Failure to register your product will not diminish your warranty rights. You will be asked to provide the store name, date of purchase, model number (found on the back of your appliance) and serial number (found on the bottom of your appliance) along with your name and email address. The registration will enable us to keep you up to date with product developments, recipes and contact you in the unlikely event of a product safety notification. By registering, you acknowledge that you have read and understand the instructions for use, and warnings set forth in the accompanying instructions.

## Warranty Service

To obtain warranty service, please contact our Consumer Care Department by email to [support@instanthome.com](mailto:support@instanthome.com). You can also create a support ticket online at [www.instanthome.com](http://www.instanthome.com). If we are unable to resolve the problem, you may be asked to send your appliance to the Service Department for quality inspection. Instant Brands is not responsible for shipping costs related to warranty service. When returning your appliance, please include your name, mailing address, email address, phone number, and proof of the original purchase date as well as a description of the problem you are encountering with the appliance.

Distributed by Instant Brands LLC  
3025 Highland Parkway, Suite 700  
Downers Grove, IL 60515 U.S.

**[instanthome.com](https://www.instanthome.com)**

© 2022 Instant Brands LLC  
140-3089-01-0102

INSTANT is a registered trademark  
of Instant Brands Holdings Inc.